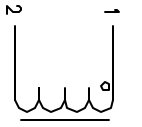


The information contained in this drawing is the sole property of CW's Coil Winding Specialist. Any reproduction in part or whole without written permission of CW's Coil Winding Specialist is prohibited.

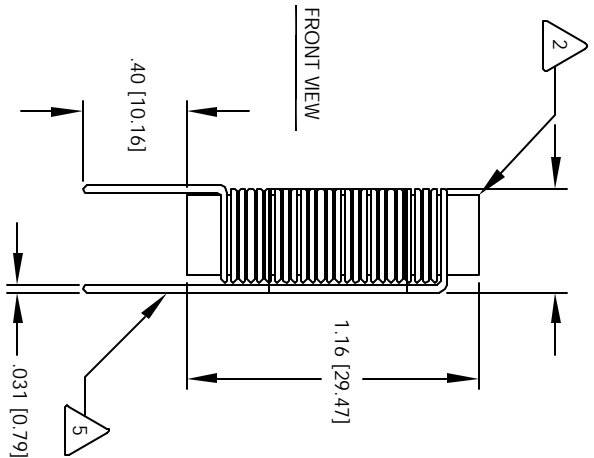
REVISION HISTORY

REV	ECN	DESCRIPTION	DATE	BY	CHK	DATE
A		PRE-PRODUCTION RELEASE	4/10/04	JKU		4/12/04

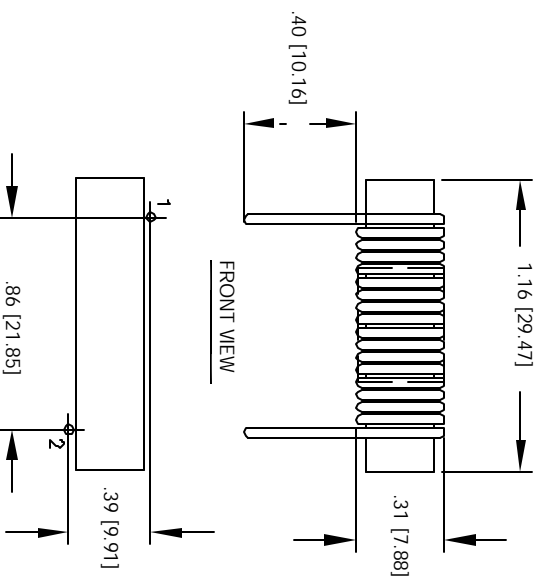
VERTICAL CONFIGURATION



SCHEMATIC



HORIZONTAL CONFIGURATION



- 5 LEADS MUST BE TANGENT TO THE CORE  
FLUSH WITH THE CORE EDGE, AS SHOWN
- 5 REMOVE INSULATION AND TIN LEADS

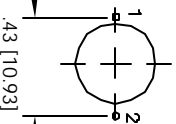
- 4 WIND COILS EVENLY SPACED
- 4 CONSTRUCTION:

- HI-POT TEST FOR CORE TO WINDING = 750 VDC  
DCR = 27.2 MILLI-OHMS @ 25 °C  
L = 2.2 UH ± 20% , 1 KHZ, 0.25 Vrms, 0 ADC;
- 3 SPECIFICATIONS: MAX DC CURRENT = 2.5 AMPS

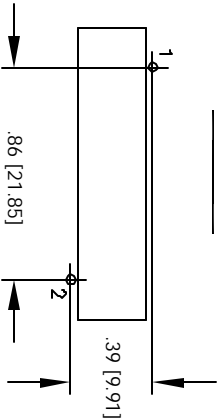
- 2 WIRE: UL RECOGNIZED 130° RATED MAGNET WIRE  
CWS BYTEMARK OR OTHER APPROVED PART  
CORE: MANGANESE ZINC FERRITE ROD

- 1 RATING CLASS B (130°) REQUIRED  
MATERIAL: WIRE INSULATION - UL RECOGNIZED 94V-0 FOR FLAMMABILITY
- NOTES: UNLESS OTHERWISE SPECIFIED, POWER INDUCTOR.

MOUNTING HOLES PATTERN



MOUNTING HOLES PATTERN



UNLESS OTHERWISE SPECIFIED	
DRAWSHIP AND TOLERANCE PER AMS Y14.5M	
ALL DIMENSIONS ARE IN INCHES AND [DIMETERS]	
TOLERANCE INCHES	±.0030
TOLERANCE METERS	±.0750
ANGLE PROJECTION	1ST ANGLE
DO NOT SCALE DRAWING	

CODE IDENT	MFG. P/N	DESCRIPTION	ITEM NO.
AUTOCAD SOLIDWORKS SIGN	X	<b>PARTS LIST</b>	
DATE	DATE	CWS Coil Winding Specialist 1510 E. Edinger Ave Unit B, Santa Ana, CA 92705	
DRAWN TKK	4/10/04	<b>Power Chokes</b>  TITLE: SIZE: DIM. IN. B PCR0830-220M SCALE: 2=1 SHEET 1 OF 1	
CHKD JKU	4/10/04		
ENGR. KSUN	4/10/04		
APPR. JKU	4/12/04		